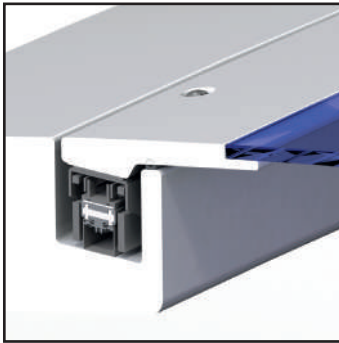




Makefast
Marine Products

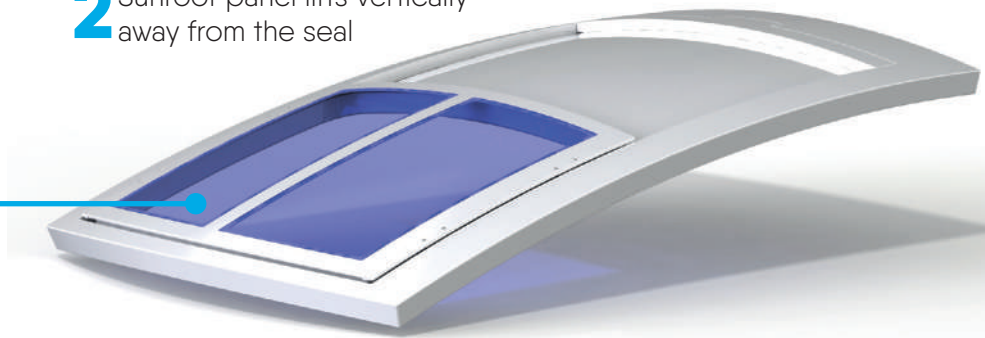
LIFT & SLIDE SEALING SUNROOF

1 Sunroof in seated position



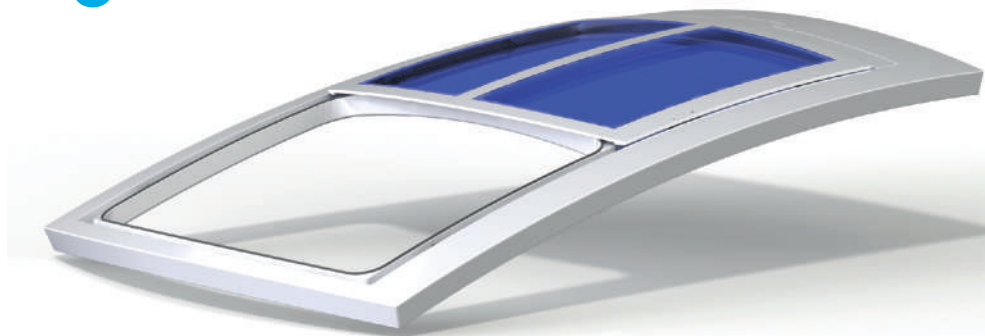
The panel pulls down onto the seal to ensure water tightness and optimal climate control

2 Sunroof panel lifts vertically away from the seal



Boatyard supplied panel offers greater flexibility in design

3 The panel then slides back to expose the roof aperture

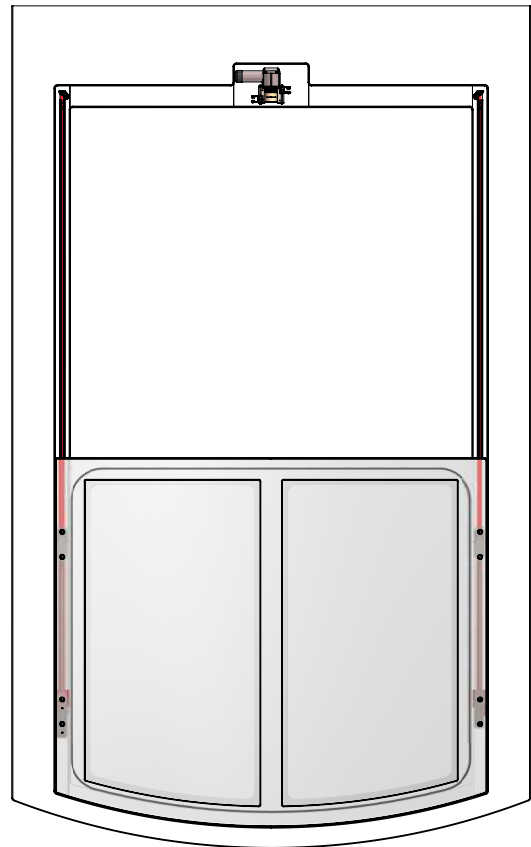
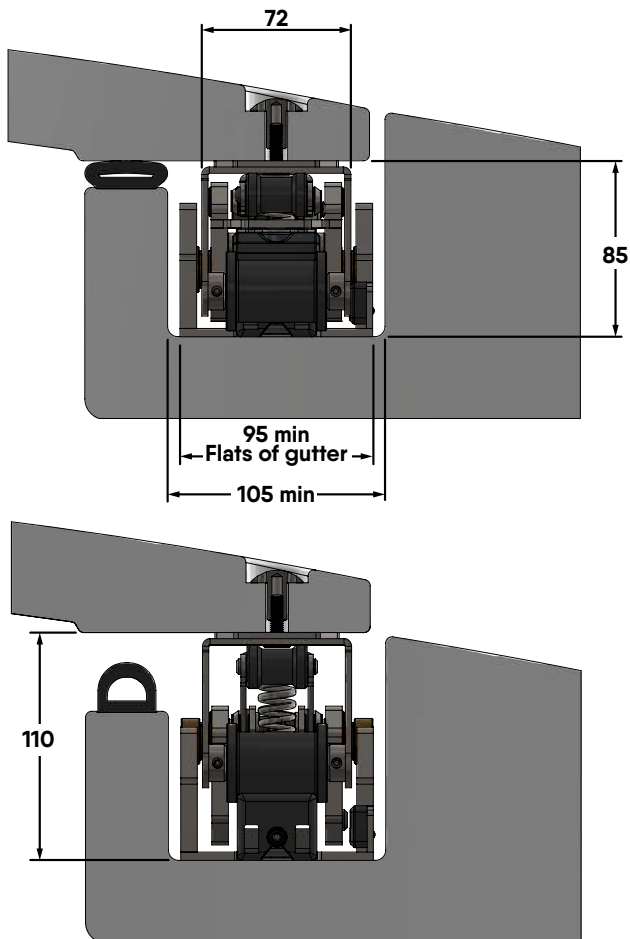


- Any size of panel width and length -allowing unlimited flexibility in design
- Panel weight up to 250kg
- Standard lift of 25mm (custom lift options available on request)
- High quality Type 316 stainless steel components ensure the highest levels of durability, corrosion resistance and finish

*For enquiries please call
our technical sales team on
+44 (0)1686 629010,
email sales@makefast.com or visit*

www.makefast.com

TECHNICAL SPECIFICATION



- Roof mechanism capable of accommodating considerable movement and build variation in parent structure of yacht
- Panel thickness nominally 20mm
- Opening speed nominal 5 metres per minute
- Low maintenance, self lubricating, self cleaning tracks and cars
- Highly polished 316SS
- Carriage construction Non Hygroscopic plastic
- Type 316 stainless steel cable system (7 x 19 construction)
- Motor gear box unit:-
 - 12 or 24 volt available
 - Fixed ratio gearbox
 - Protected IP54 unit
- Electrical control box rated IP66
- Limit sensors fore and aft
- Operated by 2 way rocker switch mounted on the dashboard - customer supplied
- Remote control option available
- Unit supplied in modular form - 2 assembled track assemblies including carriages, track pillars, cable tensioning units mounted to base channel, with separate motor assembly and control box. Installation and service manual included.
- Unit weight 60kgs based on 3 metres x 2.5 metres (excluding panel)
- Solid panel supplied by customer or ask Makefast to quote
- Core system is designed to accommodate build variation, extremes of temperature and weather and structural movement of the boat whilst at sea
- Extensive salt spray and function testing is carried out

Makefast is a design and manufacturing company producing high quality products for the marine and safety industries. Our marine industry product ranges include:

- Sunroofs, Biminis & Awnings
- Sprayhood & Canopy Accessories
- Sailmakers Items & Marine Fittings
- Buckles, D Rings, Rings etc.
- Sleek and Mast Track Systems

Many of our products have been developed in association with our customers and we are always pleased to discuss special production with you. This can be anything from adding your logo to one of our standard products, to a completely bespoke design, prototyping and manufacturing service for a special project.

With our extensive in house capabilities Makefast are your single point of contact for your product development needs.

*For enquiries please call
our technical sales team on
+44 (0)1686 629010,
email sales@makefast.com or visit*

www.makefast.com